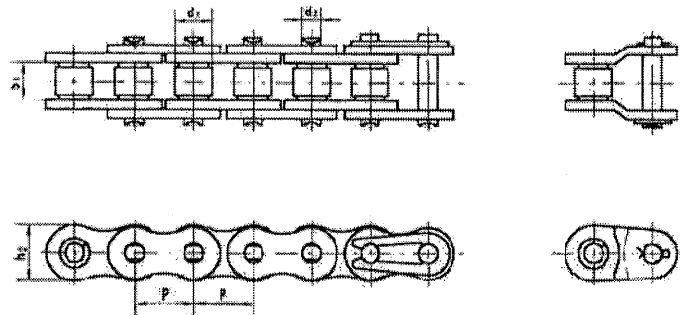
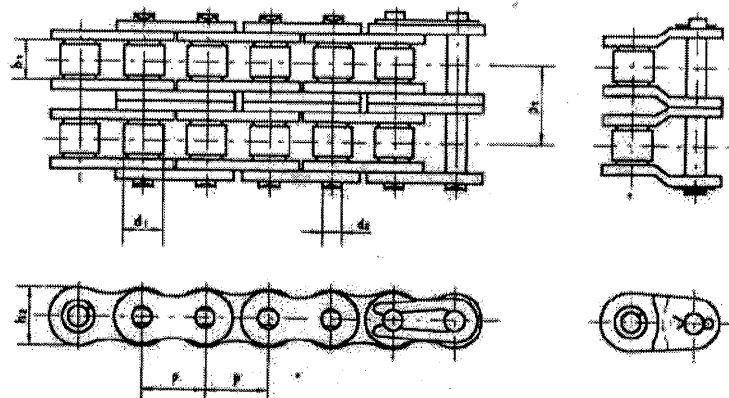


## B Series Short Pitch Transmission Precision Roller Chain

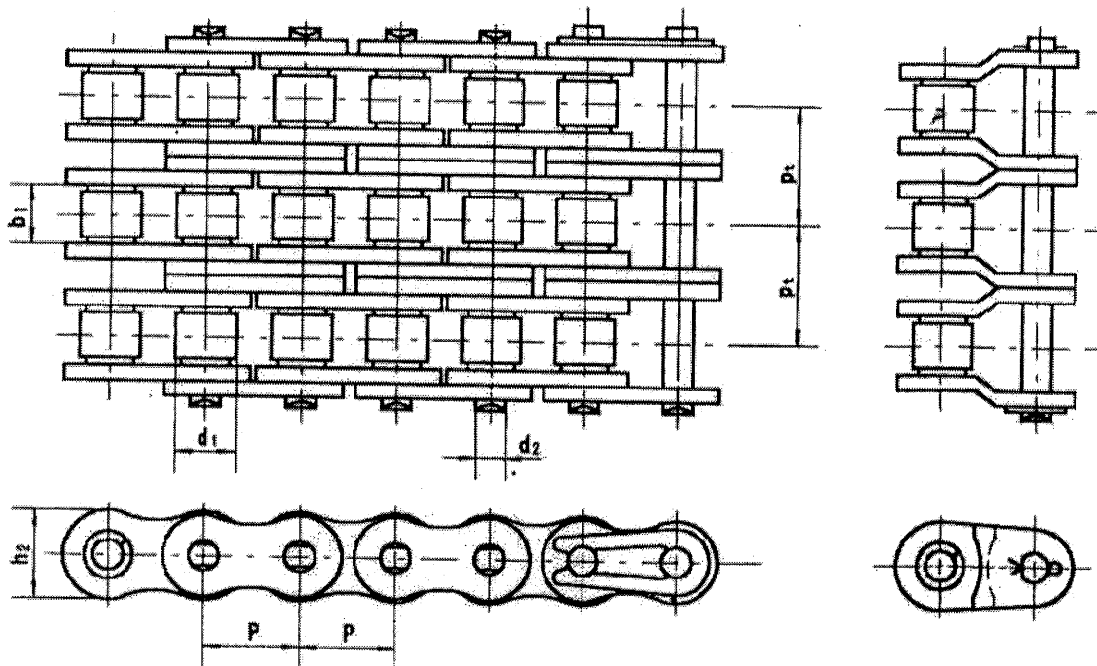


Kaido	Pitch	Roller dia	Pin dia	Width between inner plates	Inner plate depth	Breaking load	Average tensile strength	Weight per meter
Chain No.	P mm	d1(max) mm	d2 mm	b1(min) mm	h1 mm	Q(min) KN	Q0 KN	q kg/m
Kaido 05B-1	8	5	2.31	3	7	4.4	6.2	0.20
Kaido 06B-1	9.525	6.35	3.28	5.72	8.2	8.9	10.7	0.39
Kaido 08B-1	12.7	8.51	4.45	7.75	11.8	17.80	20.7	0.72
Kaido 10B-1	15.875	10.16	5.08	9.65	14.6	22.20	27.50	0.95
Kaido 12B-1	19.05	12.07	5.72	11.68	16	28.90	33.0	1.23
Kaido 16B-1	25.4	15.88	8.28	17.02	20.9	60	71.0	2.80
Kaido 20B-1	31.75	19.05	10.19	19.56	26	95	102.0	3.90
Kaido 24B-1	38.1	25.4	14.63	25.40	33	160	175.2	7.14
Kaido 28B-1	44.45	27.94	15.90	30.99	36.7	200	215.5	9.37
Kaido 32B-1	50.8	29.21	17.81	30.99	41.90	250	270.4	9.94
Kaido 40B-1	63.5	39.37	22.89	38.10	52.5	355	382.5	16.4
Kaido 48B-1	76.2	48.26	29.24	45.72	63.5	560	604.4	25.2



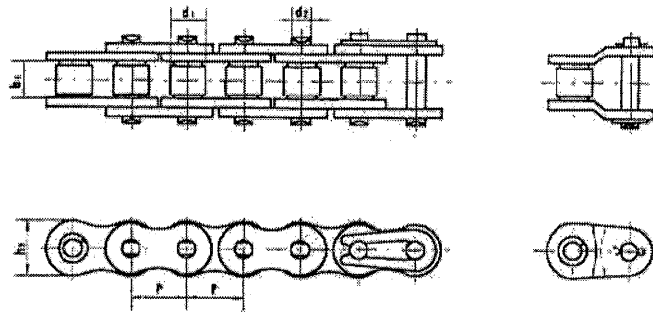
Kaido	Pitch	Roller dia	Pin dia	Width between inner plates	Inner plate depth	Transverse pitch	Breaking load	Average tensile strength	Weight per meter
Chain No.	P mm	d1(max) mm	d2 mm	b1(min) mm	h1 mm	P mm	Q(min) KN	Q0 KN	q kg/m
Kaido 05B-2	8	5	2.31	3	7	5.04	7.8	10.9	0.33
Kaido 06B-2	9.525	6.35	3.28	5.72	8.2	10.24	16.9	19.2	0.77
Kaido 08B-2	12.7	8.51	4.45	7.75	11.8	13.92	31.1	40.1	1.37
Kaido 10B-2	15.875	10.16	5.08	9.65	14.6	16.59	44.5	56.2	1.92
Kaido 12B-2	19.05	12.07	5.72	11.68	16	19.46	57.8	67.2	2.44
Kaido 16B-2	25.4	15.88	8.28	17.02	20.9	31.88	106	125.4	5.58
Kaido 20B-2	31.75	19.05	10.19	19.56	26	36.45	170	211.5	7.77
Kaido 24B-2	38.1	25.4	14.63	25.40	33	48.36	280	306.7	14.48
Kaido 28B-2	44.45	27.94	15.90	30.99	36.7	59.56	360	387.9	18.52
Kaido 32B-2	50.8	29.21	17.81	30.99	41.90	58.55	450	482.6	19.8
Kaido 40B-2	63.5	39.37	22.89	38.10	52.5	72.29	630	672.6	32.00
Kaido 48B-2	76.2	48.26	29.24	45.72	63.5	91.21	1000	1069.1	50.00

## B Series Short Pitch Transmission Precision Roller Chain

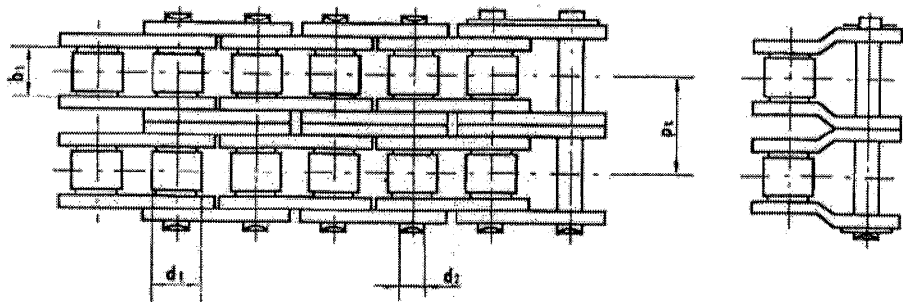


<i>Kaido</i>	Pitch	Roller dia	Pin dia	Width between inner plates	Inner plate depth	Transverse pitch	Breaking load	Average tensile strength	Weight per meter
Chain No	P mm	d1(max) mm	d2 mm	b1(min) mm	h2 mm	Pt mm	Q(min) KN	Qa KN	q kg/m
<i>Kaido</i> 05B-3	8	5	2.31	3	7	5.64	11.1	13.7	0.50
<i>Kaido</i> 06B-3	9.525	6.35	3.28	5.72	8.2	10.24	24.9	29.6	1.20
<i>Kaido</i> 08B-3	12.7	8.51	4.45	7.75	11.8	13.92	46.65	51.2	2.03
<i>Kaido</i> 10B-3	15.875	10.16	5.08	9.65	14.6	16.59	66.7	81.9	2.95
<i>Kaido</i> 12B-3	19.05	12.07	5.72	11.68	16	19.46	86.7	98.6	3.64
<i>Kaido</i> 16B-3	25.4	15.88	8.28	17.02	20.9	31.88	160	189.4	8.35
<i>Kaido</i> 20B-3	31.75	19.05	10.19	19.56	26	36.45	250	268.5	11.64
<i>Kaido</i> 24B-3	38.1	25.4	14.63	25.40	33	48.36	425	465.4	21.63
<i>Kaido</i> 28B-3	44.45	27.94	15.90	30.99	36.7	59.56	530	571.0	26.19
<i>Kaido</i> 32B-3	50.8	29.21	17.81	30.99	41.90	58.55	670	724.6	31.70
<i>Kaido</i> 40B-3	63.5	39.37	22.89	38.10	52.5	72.29	950	1023.6	48.30
<i>Kaido</i> 48B-3	76.2	48.26	29.24	45.72	63.5	91.21	1500	1618.9	75.20

## A Series Short Pitch Transmission Precision Roller Chain



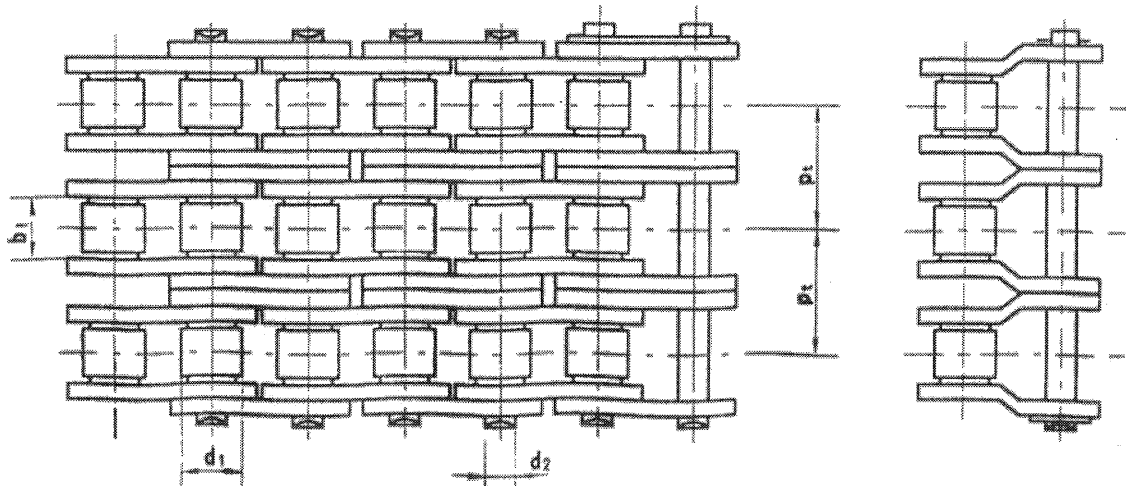
Kaido	Pitch	Roller dia	Pin dia	Width between inner plates	Inner plate depth	Breaking load	Average tensile strength	Max working load	Weight per meter
Chain No.	P mm	d1(max) mm	d2 mm	b1(min) mm	h1 mm	Q(min) KN	Q0 KN	KN	q kg/m
Kaido 25-1	6.35	3.30	2.31	3.18	6	3.5	4.4	/	0.15
Kaido 35-1	9.525	5.08	3.58	4.68	9	7.9	10.6	1.8	0.35
Kaido 40-1	12.7	7.92	3.96	7.85	12	13.8	18.5	3.2	0.66
Kaido 50-1	15.875	10.16	5.08	9.40	15	21.8	31.0	5.0	1.05
Kaido 60-1	19.05	11.91	5.94	12.57	18	31.1	42.6	7.2	1.56
Kaido 80-1	25.4	15.88	7.92	15.75	23.5	55.6	70.2	13.5	2.63
Kaido 100-1	31.75	19.05	9.52	18.90	30	86.7	123.0	19.8	4.03
Kaido 120-1	38.1	22.23	11.10	25.22	35.8	124.6	171.0	24.8	5.94
Kaido 140-1	44.45	25.4	12.7	25.22	41.5	169.0	214.7	36.0	7.50
Kaido 160-1	50.8	28.58	14.27	31.55	48	222.4	295.7	45.0	10.20
Kaido 180-1	57.15	35.71	17.46	35.48	54	280.2	387.3	56.3	13.95
Kaido 200-1	63.5	39.68	19.84	37.85	59.6	347.0	516.0	72.0	16.86
Kaido 240-1	76.2	47.63	23.80	47.35	71.5	500.4	715.0	99.0	22.25



Kaido	Pitch	Roller dia	Pin dia	Width between inner plates	Inner plate depth	Transverse pitch	Breaking load	Average tensile strength	Max working load	Weight per meter
Chain No.	P mm	d1(max) mm	d2 mm	b1(min) mm	h1 mm	Pt mm	Q(min) KN	Q0 KN	KN	q kg/m
Kaido 25-2	6.35	3.30	2.31	3.18	6	6.40	7.0	8.2	/	0.28
Kaido 35-2	9.525	5.08	3.58	4.68	9	10.13	15.8	21.2	3.7	0.69
Kaido 40-2	12.7	7.92	3.96	7.85	12	14.38	27.6	37.0	6.2	1.30
Kaido 50-2	15.875	10.16	5.08	9.40	15	18.11	43.6	62.0	10.6	2.10
Kaido 60-2	19.05	11.91	5.94	12.57	18	22.78	62.3	85.2	15.0	3.09
Kaido 80-2	25.4	15.88	7.92	15.75	23.5	29.29	111.2	140.4	25.0	5.20
Kaido 100-2	31.75	19.05	9.52	18.90	30	35.76	173.5	246.0	38.3	8.01
Kaido 120-2	38.1	22.23	11.10	25.22	35.8	45.44	249.1	342.0	51.7	11.84
Kaido 140-2	44.45	25.40	12.7	25.22	41.5	48.87	338.1	429.4	68.4	14.89
Kaido 160-2	50.8	28.58	14.27	31.55	48	58.55	444.8	593.4	90.0	20.25
Kaido 180-2	57.15	35.71	17.46	35.48	54	65.84	560.5	774.6	103.0	27.62
Kaido 200-2	63.5	39.68	19.84	37.85	59.6	71.55	693.9	1032.0	121.5	33.42
Kaido 240-2	76.2	47.63	23.80	47.35	71.5	87.83	1000.8	1430.1	167.0	47.35

Bushing Chain: d1 in the table indicate the external diameter of the bushing.

A Series Short Pitch Transmission Precision Roller Chain



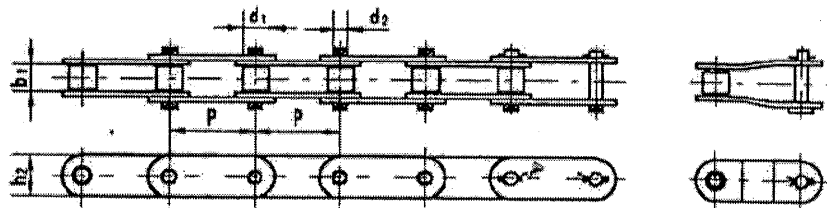
Kaido	Pitch	Roller dia	Pin dia	Width between inner plates	Inner plate depth	Transverse pitch	Breaking load	Average tensile strength	Max working load	Weight per meter
Chain No.	P mm	d(max) mm	d <sub>2</sub> mm	b(min) mm	b <sub>2</sub> mm	Pt mm	Q(min) KN	Q <sub>a</sub> KN	KN	q kg/m
Kaido *35-3	9.525	5.08	3.58	4.68	9	10.13	23.7	31.8	5.4	1.02
Kaido 40-3	12.7	7.92	3.96	7.85	12	14.38	41.4	55.5	9.1	1.93
Kaido 50-3	15.875	10.16	5.08	9.40	15	18.11	65.4	93.0	15.9	3.14
Kaido 60-3	19.05	11.91	5.94	12.57	18	22.78	93.4	127.8	22.1	4.50
Kaido 80-3	25.4	15.88	7.92	15.75	23.5	29.29	166.8	210.6	36.8	7.77
Kaido 100-3	31.75	19.05	9.52	18.90	30	35.76	260.2	369.0	56.4	12.09
Kaido 120-3	38.1	22.23	11.10	25.22	35.8	45.44	373.7	513.3	76.0	16.83
Kaido 140-3	44.45	25.4	12.7	25.22	41.5	48.87	507.1	644.1	101.0	22.80
Kaido 160-3	50.8	28.58	14.27	31.55	48	58.55	667.2	890.1	132.0	30.31
Kaido 180-3	57.15	35.71	17.46	35.48	54	65.84	840.7	1161.9	152.5	38.22
Kaido 200-3	63.5	39.68	19.84	37.85	59.6	71.55	1040.9	1548.0	178.6	50.05
Kaido 240-3	76.2	47.63	23.80	47.35	71.5	87.83	1501.3	2145.3	245.6	72.04

\* Bushing Chain:  $d_1$  in the table indicate the external diameter of the bushing.

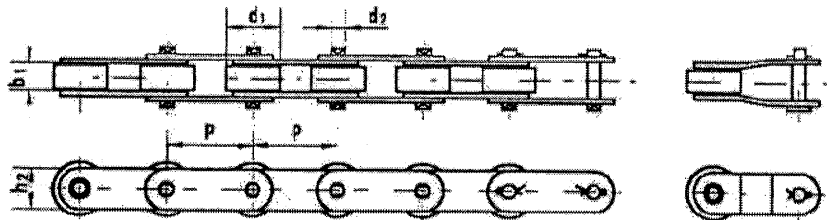
## Double Pitch Transmission Precision Roller Chain

### Conveyor Series

#### STANDARD ROLLER TYPE



#### OVERSIZE ROLLER TYPE



Kaido	Pitch	Roller dia	Pin d.a	Width between inner plates	Inner plate depth	Breaking load	Average tensile strength	Max working load	Weight per meter
Chain No	P mm	d(max) mm	d1 mm	b1(min) mm	b2 mm	Q(min) KN	Qs KN	KN	q kg/m
<b>STANDARD ROLLER TYPE</b>									
Kaido C2040	25.4	7.92	3.96	7.85	12	13.8	18.5	2.8	0.52
Kaido C2050	31.75	10.16	5.08	9.40	15	21.8	31.0	4.6	0.84
Kaido C2060	38.1	11.91	5.94	12.57	18	31.1	42.6	6.4	1.23
Kaido C2060H							43.2		
Kaido C2080	50.8	15.88	7.92	15.75	23.5	55.6	71.2	10.7	2.10
Kaido C2080H							71.6		
Kaido C2100	63.5	19.05	9.52	18.90	30	86.7	123.0	15.7	3.23
Kaido C2100H							125.5		
Kaido C2120	76.2	22.23	11.10	25.22	35.8	124.6	171.0	22.0	4.73
Kaido C2120H							174.4		
<b>OVERSIZE ROLLER TYPE</b>									
Kaido C2042	25.4	15.88	3.96	7.85	12	13.8	18.5	2.8	0.87
Kaido C2052	31.75	19.05	5.08	9.40	15	21.8	31.0	4.6	1.31
Kaido C2062	38.1	22.23	5.94	12.57	18	31.1	42.6	6.4	1.90
Kaido C2062H							43.2		
Kaido C2082	50.8	28.58	7.92	15.75	23.5	55.6	71.2	10.7	3.21
Kaido C2082H							71.6		
Kaido C2102	63.5	39.67	9.52	18.90	30	86.7	123.0	15.7	5.33
Kaido C2102H							125.5		
Kaido C2122	76.2	44.45	11.10	25.22	35.8	124.6	171.0	22.0	7.71
Kaido C2122H							174.4		